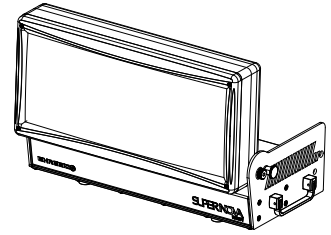


SUPERNOVA

RGBW

USER MANUAL



CONTENTS

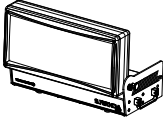
Introduction	1	
Safety Instructions	2	
Delivery Contents	3	
Fixture Dimensions.....	3	
Installations.....	4	
Installation on the floor	4	
Installation hanging.....	4	
Safety attachment.....	4	
Connections	5	
Mains & DMX	5	
DMX.....	6	
Wireless DMX.....	6	
Operations	7	
TILT Index.....	7	
Menu control	7	
Output Mode	7	
Menu map	8	
Software updates	10	
DMX Modes	11	
Standard Mode	11	
Advanced Mode.....	12	
RGBW Mode.....	12	
Compressed RGBW Mode.....	12	
Pixel Mode	13	
Services.....	14	
Trouble Shooting.....	14	
Maintenance	14	
Appendix.....	I	
Specifications.....	I	
Exploded drawing.....	II	
Spareparts	III	
eventCON®	IV	
Colourwheel table.....	VI	
Special control channel	VII	
Shutter Channel Table.....	VIII	
Shutter Duration Table	VIII	
Shutter Flash Rate Table.....	VIII	
Dimmer Curves	IX	
Patterns	X	

Introduction

Thank you for your purchase and usage of the Ehrgeiz Supernova RGBW.

You have chosen a reliable product with outstanding features like the unique eventCON® connector system or the Tilt Index. The device is easy to use and is made of high quality components.

Every Ehrgeiz Product is checked before shipping to secure you are able to receive a great product without compromise. This is not a toy. Our ambitious aim is to get you a reliable working tool.



Safety Instructions

In General

In order to maintain the condition and to ensure a safe operation, it is important for all users to follow the safety instructions and warning notes written in this manual.

Do not operate the fixture with missing or damaged covers, shields or any optical component.

Please consider that unauthorized modifications to the device are forbidden due to safety reasons.

If the device is operated in any way that's not described in this manual, the product may suffer damage and the guarantee will become void. Furthermore, misuse may lead to dangers like short-circuit, burns, electric shock, burns due to ultraviolet radiation, lamp explosion, crash, etc.

IP65 protection rating

The fixture is protected against dust (first digit 6) and against low pressure jets of water from all directions (second digit 5).

Prevention from electrical shock

Make sure to ground (earth) the fixture electrically. (It's essential to connect the yellow/green conductor to earth)

Main Connection

Do not apply any AC mains power to the fixture at any other voltage than that specified.

Never let the eventCON® cable come into contact with other cables. Treat the eventCON® cable and all connections with the mains with particular caution.

Make sure the eventCON® cable is never crimped or damaged by sharp edges.

Rigging

Check that all external covers and rigging hardware are securely fastened.

When choosing the installation-location, please make sure that the fixture is not exposed to extreme heat. There should not be any cables lying around. You endanger your own and the safety of others.

Make sure that the area below the installation place is cordoned off when rigging, de-rigging or servicing the fixture.

If suspending from a rigging structure, fasten the fixture to a rigging clamp with an M10 bolt screwed into the threaded hole in the center of the base of the fixture. The bolt must be screwed at 20-25mm into the fixture. If the fixture is suspended by any other method, an M10 bolt must be screwed into this hole so that it is 20-25mm into the fixture.

Make sure all fixtures are operated and installed by qualified personnel with the relevant national certifications.

Install as described in this manual a secondary attachment such as a safety wire that is approved by an official body. The safety wire must comply with EN 60598-2-17 Section 17.6.6 and be capable of bearing a static suspended load ten times the weight of the fixture.

Positioning:

The fixture must be positioned at least 0.2m minimum distance to illuminate objects.

Keep all inflammable materials at least 0.2m from this fixture.

Allow to place the fixture on an inflammable surface.

The maximum ambient temperature of 45°C may not be exceeded.

The exterior of this fixture can reach a very high temperature during operation. Avoid contact by persons and materials.

Maintenance:

This fixture is for professional use only. It is not for household use.

Always unplug the mains for any maintenance.

Risk of eye injury:

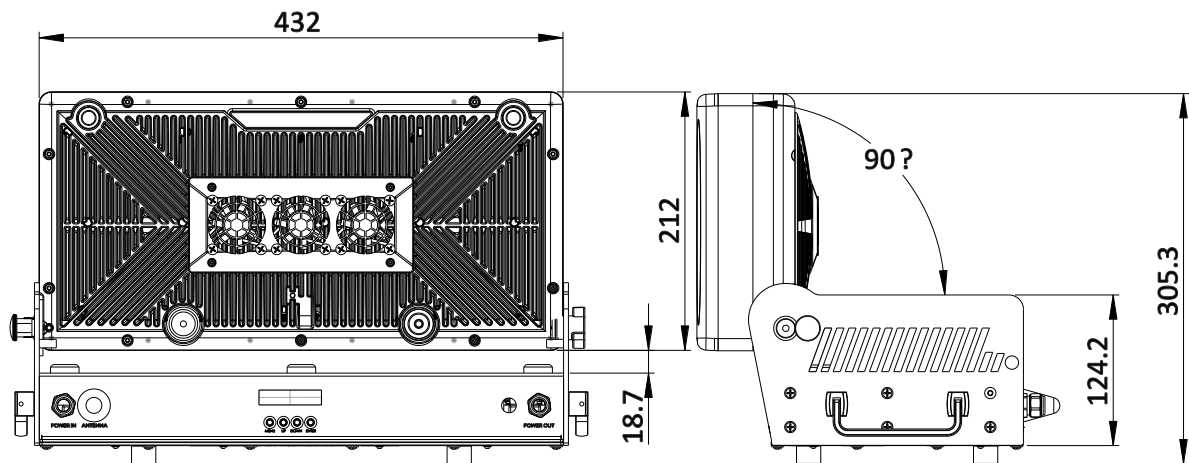
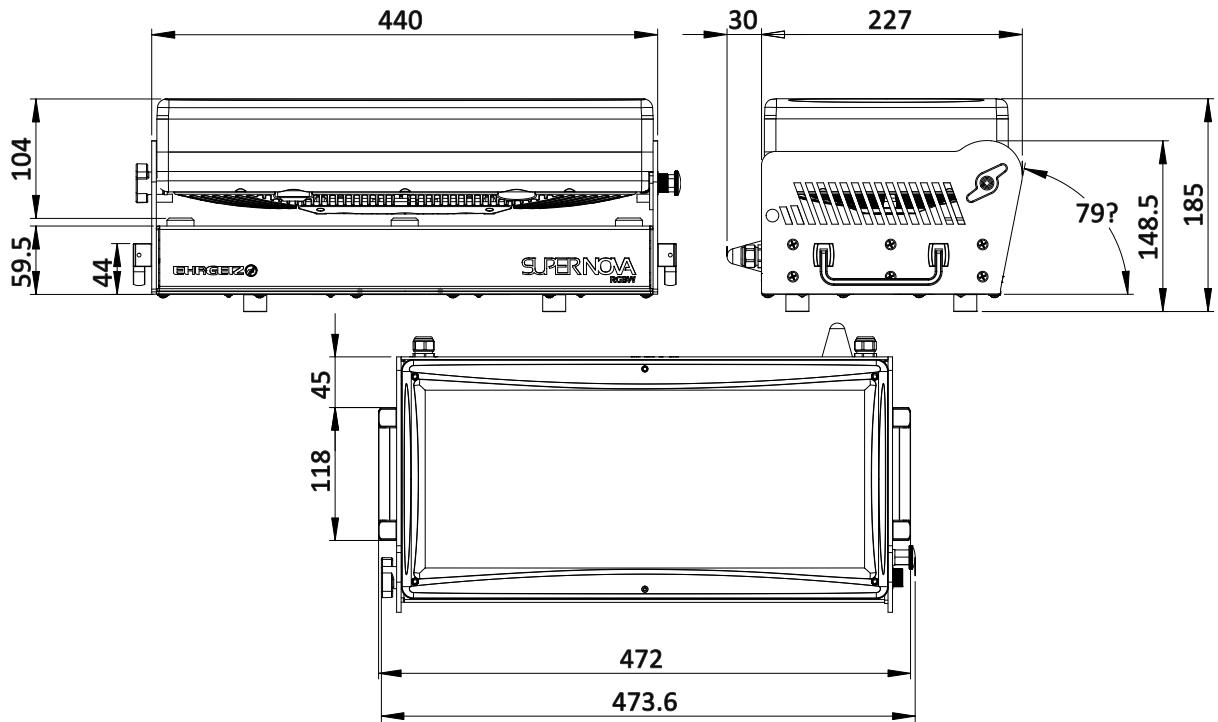
Do not stare directly into the light when it is switch on. Do not look at LEDs with magnifying glasses, telescopes, binoculars, or similar optical instruments that may concentrate the light output.

Delivery Contents

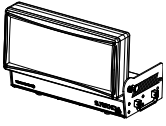
You received your Supernova RGBW with the following content

- Supernova RGBW 1372x Osram LED Flood / Blinder / Strobe
- eventCON® Input cable Input cable with Neutrik XLR and Schuko merging to Eventcon

Fixture Dimensions



Dimensions in mm

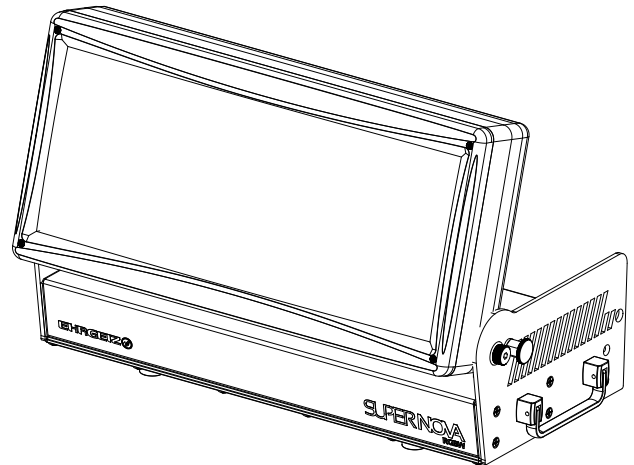


Installations

Your Supernova RGBW can be installed in every kind of following positions. Please see the explanations and rely to the Instructions for a safe operation and secure handling.

Installation on the floor

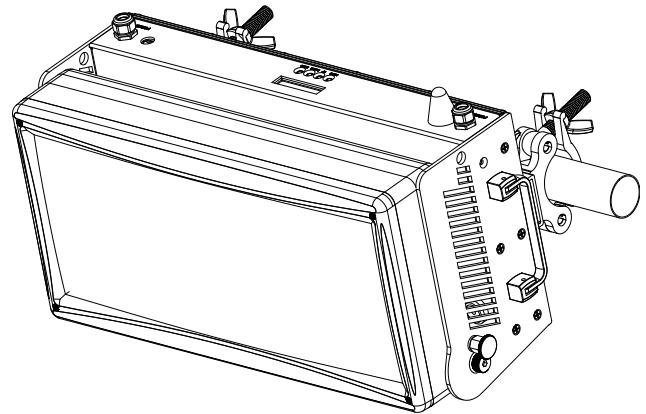
You could place the Supernova RGBW on the floor. Please make sure the surface is plane and the reliability of the floor is sufficient.



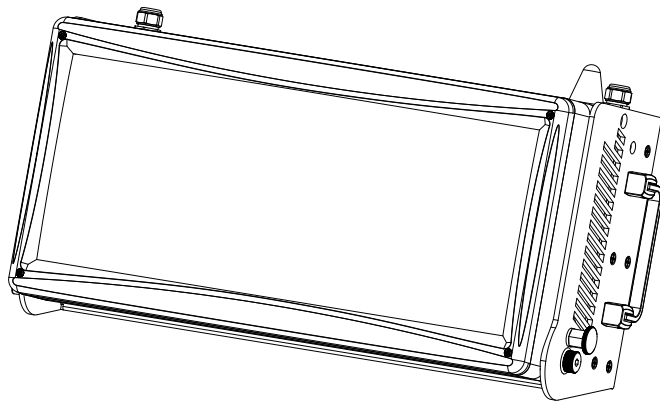
Installation hanging

You can attach the Supernova RGBW to a Truss or Pipe facing down or to the side.

If you wish to install the fixture using a Clamp, make sure that the length of the M10 bolt does not exceed 25mm!



Safety attachment



Please attach the Safety rope to one of the two handles on the side of the housing.

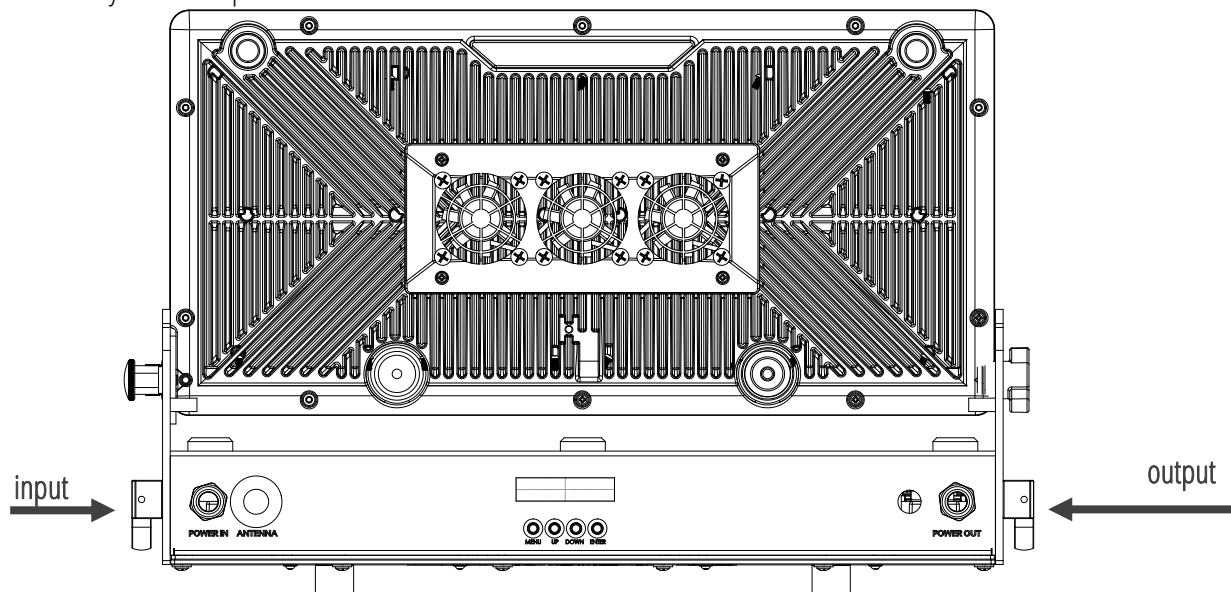


Connections

Mains & DMX

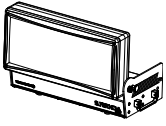
The eventCON® system is an innovative VDE certified connection System for professional use. It offers one connection for Power supply as well as the DMX signal. You will only be in need for one cable. You are able to loop through to the next device, while the Supernova RGBW offers you an input and output.

The connection of the Power supply has to be done by qualified personnel only. Do not connect the Supernova RGBW if you are not able to survey the consequences.



Do not try to connect another Type of Plug than an original eventCON®. Do not use any force to connect the eventCON® plug. You could use the outlet for connecting additional devices. The internal Power wiring is done with a cable cross section of 2,5mm².

The eventCON® System offers a big range of optional cables and mergers. For further information see Chapter eventCON® on Appendix page [IV](#)



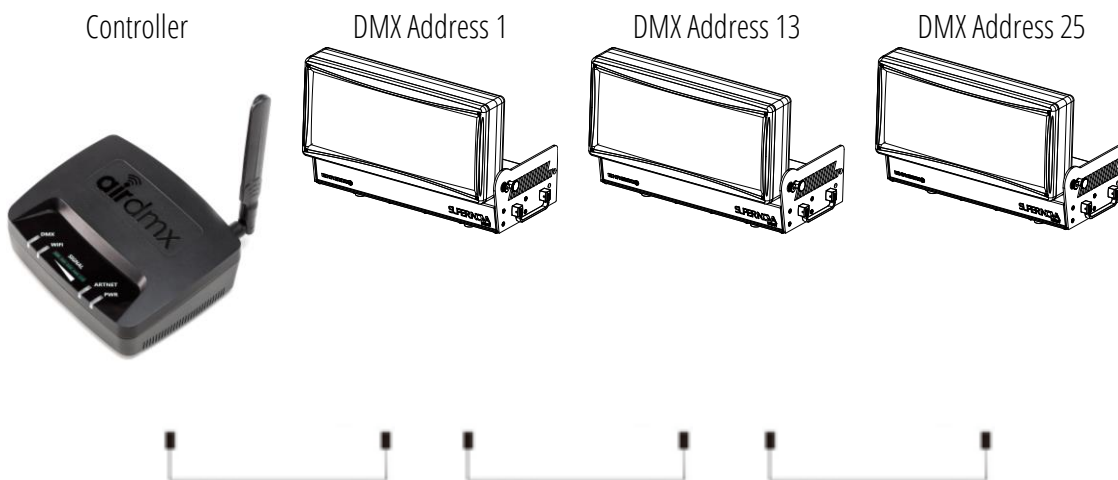
DMX

We recommend the use of High quality XLR connectors like original NEUTRIK. Please use real DMX cable with a surge impedance of 110 Ω.

Please notice that the USITT DMX Standard does allow the use a max of 32 DMX fixtures in one line. You should terminate the signal by a 120 Ω resistor.

In the Standard mode the Supernova RGBW uses 12 DMX channels.

Connect the devices and increase the value of the DMX channel by 12 from one device to another



Wireless DMX

The Device is equipped with a Wireless DMX Input from Lumenradio. The receiver is also compatible with the Wireless Solution G3 protocol.

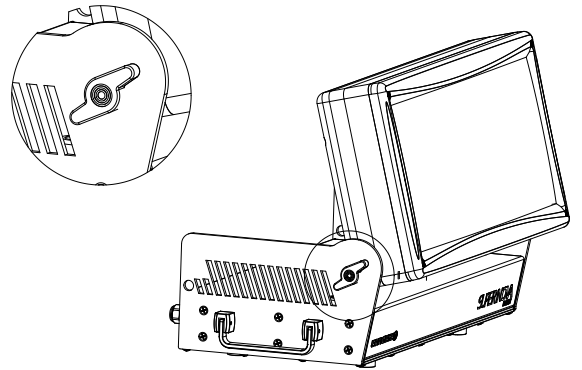
To establish a connection simply use the “Link” Option in the Supernova RGBW Menu and set your transmitter to the Link Mode. After both devices are linked you will be able to control the Supernova RGBW via Wireless DMX, as long as the W-DMX Mode is turned on in the Menu.

Operations

TILT Index

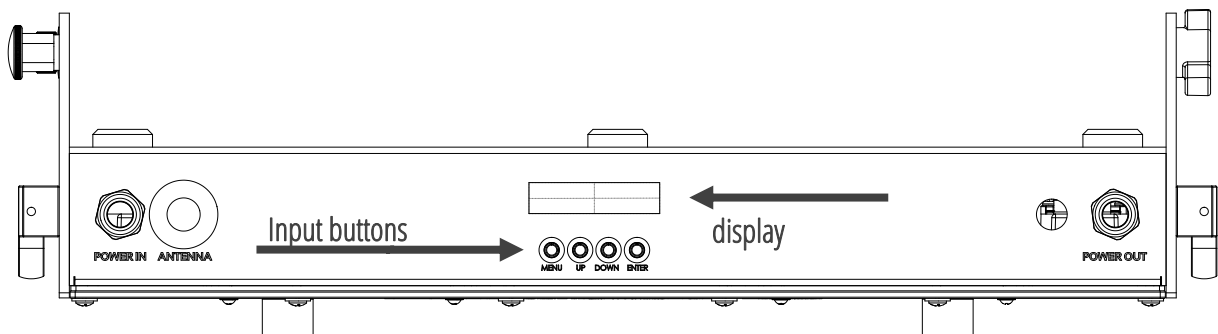
You can set up the TILT individually.

On most applications you will be able to use the TILT Index System on the Side of your Supernova RGBW. Open the screw on the one Side, pull out the Index Tilt bolt on the other side, then choose your desired Angle. Let the Bolt snap back in and fasten the wing screw again. This is an easy way to adjust a lot of devices to the same Angle in short time.



Menu control

Your Supernova RGBW has an easy to read and setup display and Menu. It is programmed with a lot of built in functions as well as DMX Modes for different applications.



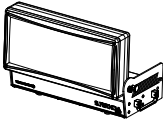
The Menu of the Supernova RGBW is very intuitive. You will find a menu map on the following pages. The four buttons are used to scroll the values, select a setting or hop back in the menu structure:

- ◀ Go back in the menu structure or leave a value as it is
- ▶ Go forward in the menu structure or confirm the selected value
- ▲▼ Scroll up / down in the menu structure or scroll the selected value

Output Mode

You can choose the Output in the Menu or via DMX at the Control channel to choose either a better white or color performance. To give you an idea of which mode to choose, see the following chart:

Mode	Standard	Color +	White +
Single color	100 %	200 %	70 %
White	100 %	25 %	125 %
RGB	100 %	200 %	70 %
RGBW	100 %	60 %	115 %

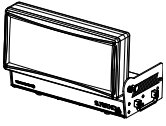


Menu map

Address	Address + / -	1 - 512		
Personality	DMX Mode	Standard	▶ 14 Channels with most features	
		Advanced	▶ 19 Channels with 16 bit dimming	
		RGBW	▶ 4 channels with RGBW control only	
		Compressed RGBW	▶ 7 channels with RGBW, dimmer, shutter, colourwheel	
		Pixel	▶ 24 channels with full control for every section	
	Output Mode	Color+	▶ Choose the output mode	
		White+		
		Standard		
	Wireless DMX	Enable	No / Yes	▶ Enable / disable Wireless DMX
		Link	No / Yes	▶ Link / Unlink to a Transmitter
	Remote DMX Addr.	Off / On	▶ Enable the Remote DMX addressing	
	Dimmer curve	Linear	▶ Set up the Dimmer Curve; see Appendix / page IX	
		Square Law		
		Inverse Square		
		Theatrical		
	Dimmer Speed	Fast	▶ Set up the speed of the dimmer	
		Smooth		
	PWM Rate Setting	1200 Hz	▶ Choose the PWM rate	
		2000 Hz		
		2400 Hz		
		6000 Hz		
		600 Hz		
	Cooling Mode	Auto	▶ Regulate the fan according the fixtures temp.	
		Standard	▶ Medium Fan speed	
		Silent	▶ light output will lower if device get's too warm	
		High Power	▶ Fan always spins at highest level	
	Mic enable	Disable / Enable	▶ Enable the build in Mic	
	Mic sensitivity	Normal	▶ Set the sensitivity for "Sound Active Mode"	
High				
Low				
Reset via DMX	Off / On	▶ Choose if device can be reset via DMX		
Display Setting	Backlight	On / Off	▶ On / Off	
		Intensity	▶ Choose Intensity from 1 - 10	
	Shut-off Time	▶ set time when display turns off		
No Signal Flash	On / Off	▶ display flashes if no DMX input		
Temperature Unit	Celsius / Fahrenheit	▶ choose the temperature unit		
No DMX	Shutter Closed Hold	▶ Set behavior for DMX signal loss		
No DMX Fixture ID	Play Program 1	▶ Set behavior for DMX signal loss		
	Disable	▶ Set the Fixture ID		
	Set	0 - 255		

Operations → Menu map

Personality	Lock	Off / On		▶ Set a Password and Disable / Enable it	
		Set Password	0000 - 9999		
	Boot Mode	DMX Mode	▶ Set behavior at Startup; - DMX Mode: Device reacts to DMX input Signal - Program Play: Program 1 is played at startup - OBDCtrl: Playback Static State from On Board Control		
		Program Play			
On Board Ctrl					
Stand-Alone	Test Sequences	Off / On	▶ Plays a Test sequence		
	Master/Slave	Alone	▶ Set unit to Alone (No Master or Slave)		
		Master	▶ Set unit to Master (in Program Mode)		
		Slave	▶ Set unit to slave (in Program Mode)		
	On Board CTRL	Red	▶ Set a static state		
		Green			
		Blue			
		White			
		Dimmer			
		Color Macro			
		Shutter			
		Pattern			
		Pattern Speed			
		Reset All			
		Save			
	Load				
	Program Edit	Program 1	Prog 1 Max Step	Select Step	▶ Select amount of Steps
			(01 - 30)	Capture DMX	▶ Capture and Safe the actual DMX input
				Hold Time	▶ Select hold time in seconds (0 - 999)
				Fade Time	▶ Select fade time in seconds (0 - 999)
Program 2		▶ see above			
Program 3		▶ see above			
Program Play		Program 1	No / Yes	▶ Play Program 1	
		Program 2	No / Yes	▶ Play Program 2	
		Program 3	No / Yes	▶ Play Program 3	
		Program All	No / Yes	▶ Play Program 1, 2 & 3 in a Loop	
Reset	Reset All	No / Yes	▶ Reset the device		
Calibrations	Color Offset	Red Offset	▶ Set Offset for the LED Colors		
		Green Offset			
		Blue Offset			
		White Offset			
Factory Default	Load	No / Yes	▶ Set device back to factory defaults		



Information	Fixture Time	Resettable	XXX hours	▶ see the resettable fixture time
		Total	XXX hours	▶ see total working time of the device
		Clear Resettable	Clear / Cancel	▶ clear the resettable fixture time
	Fixture Temp	Head LED	Actual	▶ see temp. measured at LED's
			Max	▶ see max. temp. Till last reset
		Head Driver	Actual	▶ see temp. measured at Driver Board
			Max	▶ see max. temp. Till last reset
Version	V. XXXX.XX	▶ See the installed Firmware Version		
Serial Number	XXXXXX	▶ See the Serial Number off this device		
DMX Live	Refresh Rate	XX Hz	▶ See the refresh rate of the received DMX signal	
	Control			
	CTO			
	Color Wheel			
	Red 1			
	Green 1			
	Blue 1	▶ Input value of channel chosen		
	White 1			
	Dimmer			
	Shutter			
	Duration			
	Flash Rate			

Software updates

Your Supernova RGBW can be updated via the DMX connection, so no need to open it.

If you experience issues which could probably be solved by a Firmware Update, please contact your Ehrgeiz Dealer for further instructions.

DMX Modes

You can set up your Supernova RGBW in 5 different DMX Modes:

Standard Mode

Page [11](#); Uses 14 DMX channels

Advanced Mode

Page [12](#); Uses 19 DMX channels

RGBW Mode

Page [12](#); Uses 4 DMX channels

Compressed RGBW Mode

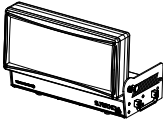
Page [12](#); Uses 7 DMX channels

Pixel Mode

Page [12](#); Uses 24 DMX channels

Standard Mode

CH	Function
1	Dimmer
2	Shutter Duration (see Shutter duration chart / Appendix Page VIII)
3	Shutter Flash Rate (see Shutter flash rate chart / Appendix Page VIII)
4	Shutter effects (see Shutter effects chart / Appendix Page VIII)
5	Colour Wheel (see Colour Wheel chart / Appendix Page VI)
6	Red
7	Green
8	Blue
9	White
10	CTO
11	Pattern (see Pattern effects table / Appendix Page X)
12	Pattern Speed
13	Control (see Control channel table / Appendix Page VII)
14	Remote DMX adress



Advanced Mode

CH	Function
1	Dimmer
2	Dimmer fine
3	Shutter Duration (see Shutter duration chart / Appendix Page VIII)
4	Shutter Flash Rate (see Shutter flash rate chart / Appendix Page VIII)
5	Shutter effects (see Shutter effects chart / Appendix Page VIII)
6	Colour Wheel (see Colour Wheel chart / Appendix Page VI)
7	Red
8	Red fine
9	Green
10	Green fine
11	Blue
12	Blue fine
13	White
14	White fine
15	CTO
16	Pattern (see Pattern effects table / Appendix Page X)
17	Pattern Speed
18	Control (see Control channel table / Appendix Page VII)
19	Remote DMX address

RGBW Mode

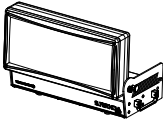
CH	Function
1	Red
2	Green
3	Blue
4	White

Compressed RGBW Mode

CH	Function
1	Colour Wheel (see Colour Wheel chart / Appendix Page VI)
2	Red
3	Green
4	Blue
5	White
6	Shuttereffects (see Shutter effects chart / Appendix Page VIII)
7	Dimmer

Pixel Mode

CH	Function
1	Dimmer
2	Shutter Duration (see Shutter duration chart / Appendix Page VIII)
3	Shutter Flash Rate (see Shutter flash rate chart / Appendix Page VIII)
4	Shutter effects (see Shutter effects chart / Appendix Page VIII)
5	Colour Wheel (see Colour Wheel chart / Appendix Page VI)
6	Red 1
7	Green 1
8	Blue 1
9	White 1
10	Red 2
11	Green 2
12	Blue 2
13	White 2
14	Red 3
15	Green 3
16	Blue 3
17	White 3
18	Red 4
19	Green 4
20	Blue 4
21	White 4
22	CTO
23	Control (see Control channel table / Appendix Page VII)
24	Remote DMX adress



Services

Trouble Shooting

Problem	Causes	Solutions
No Display / Not switched on	No power to fixture	Check AC mains power and connections Inspect connections and cables. Correct poor connections. Repair or replace damaged cables Check the power supply voltage.
	Fixture does not respond to DMX correctly.	Incorrect fixture DMX addressing Incorrect DMX mode Fault on data link Other device on DMX link defective. Data transmission lines should be terminated.
LC-Display works but no light outputs can be generated.	Faulty DMX link Broken parts / wires / LEDs	Run built-in test mode or static control mode to verify if LEDs are illuminated Have fixtures serviced by an Ehrgeiz service technician
Cooling Fan does not spin*.	Fixture is set to Auto cooling mode and fixture is still cool	Set the cooling mode to other modes other than Auto mode (See Menu Map on Page 8) Set the fixture to generate light output, the fan will start to work when temperature reached 35 deg. Celsius (95 deg. Fahrenheit)
	Broken Fans	Have the Fan replaced by an Ehrgeiz service technician

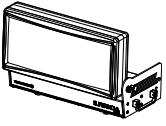
Maintenance

There are no serviceable Part inside your Supernova RGBW. If problems occur contact your Ehrgeiz dealer or a qualified Ehrgeiz Service technician.

Use a slightly moist and smooth cloth to clean the device. Do not use any aggressive detergents.

If you want to replace the fuse make sure to use a fuse of the recommended type. Do not use any other kind of fuse as this might result in a damage of the device or even serious injuries of persons.

We are sure you will have a sophisticated experience with your Supernova RGBW.



Appendix

Light source

- 1372 x Osram® LED
- CRI min. 80
- Rated lumen output: 60.000 lm
- High Efficiency with typ. 96 lm/W
- LED life expectancy: approx. 50.000 hours

Optical system

- Beam angle 110°
- Even Flood effect

Functions

- High resolution dimmer 0-100%
- Selectable dimmer curves
- Strobe with variable speed (max. 20 Hz)
- Selectable PWM rate
- Pre-programmed random strobe & pulse effects
- RGBW, 8 or 16 bit color mixing
- SteadyColor™ Dimming
- 4 controllable LED zones
- Seamless CTO
- Virtual color wheel with 39 colours including whites (2700 K / 3200 K / 4200 K / 5600 K / 7200 K / 8000 K)
- Pattern effects with variable speed

Thermal

- Maximum ambient temperature: 45° C (113° F)
- intelligent fan module

Control and programming

- Setting & addressing: 2 x 16 characters LC display & 4 buttons
- Protocol: USITT DMX-512

Specifications

- 3 DMX protocol modes
- 3-editable programs, each up to 30 steps
- Stand-alone mode
- Wireless DMX (Lumenradio CRMX)
- Firmware update via Update cable
- DMX In/Out: eventCon®
- Power In/Out: eventCon®

Electrical Specifications

- Electronic switching power supply with auto-sensing
- Input voltage: 100 - 240 V AC, 50 / 60 Hz
- Max. power consumption: 700 Watt

Mecanical Specification

- IP65 rating
- Height (LED module up): 307 mm (12.08")
- Height (LED module down): 185 mm (7.28")
- Width: 484 mm (19.05")
- Depth: 250 mm (9.84")
- Weight: 13.5 kg

Rigging

- Two M10 insert
- Four 1/4th turn mounting inserts for two omega bracket or 1 x Diagonal bracket
- Two attachment points for safety wire (handles)

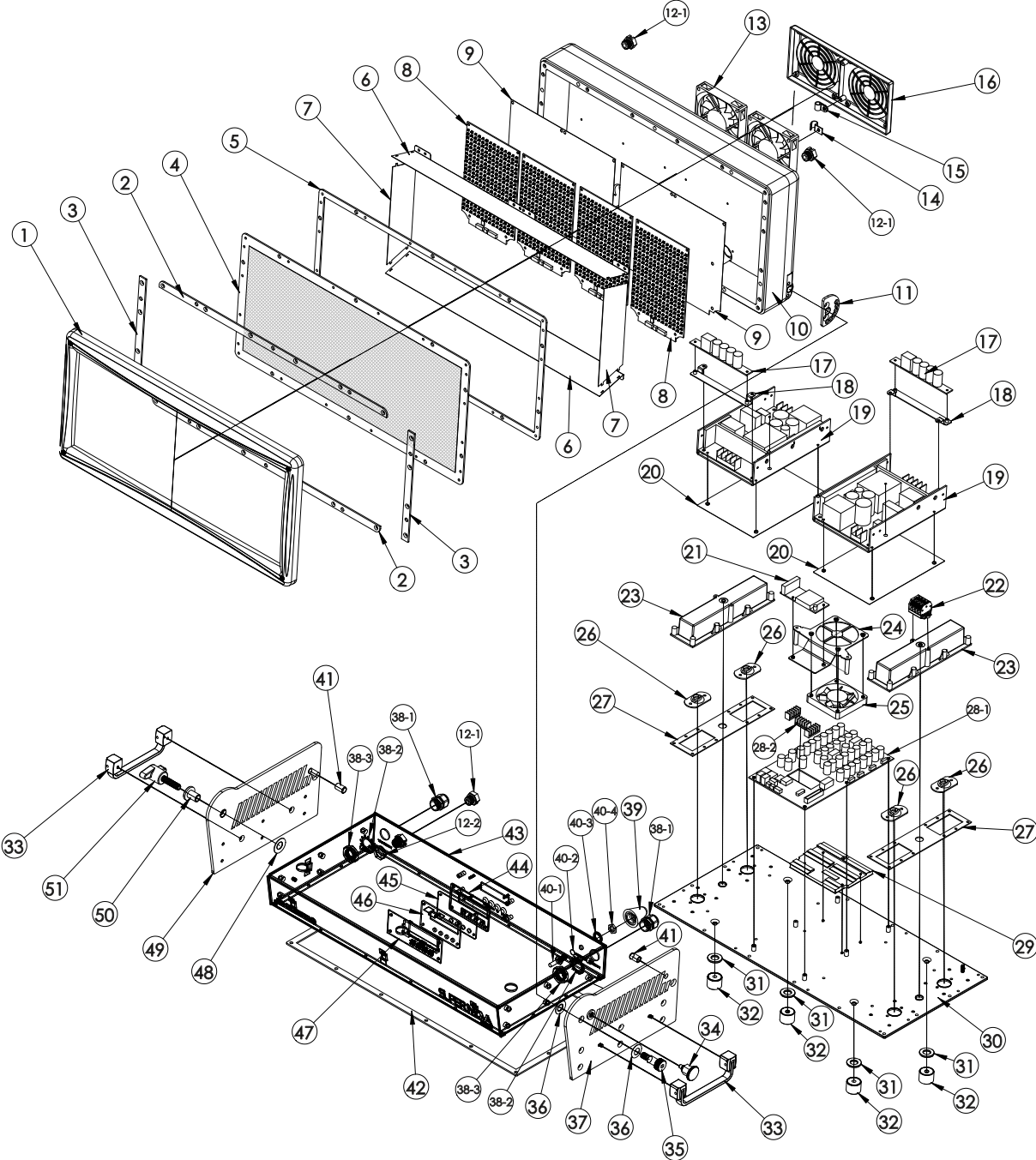
Included accessories

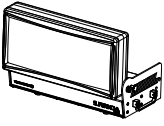
- Cable Merger eventCON® / Schuko + XLR-3

Available Accessoires

- 2 x Omega brackets
- 1 x Diagonal Omega bracket

Exploded drawing





Spareparts

#	Description (EN)	QTY	Item No.	#	Description (EN)	QTY	Item No.
1	Top Cover	1	111102	27	Waterproof Box Seal Packing	2	111133
2	Lens plate bracket A	2	114186	28	Supernova RGBW Main+Driver PCB	1	113980
3	Lens plate bracket B	2	114187	29	Heat sink for CTRL Board	1	114194
4	Top Protection Diffusor Plate	1	200029	30	Main Housing Bottom	1	200040
5	Top Waterproof Seal Ring	1	111107	31	Rubber ring	4	114196
6	Internal Reflector long	2	200030	32	Fixture Standing Feet	4	111138
7	Internal Reflector short	2	200031	33	Handle	2	111119
8	LED PCB for Supernova RGBW	4	113607	34	Indexed Plunger	1	111117
9	Heat Transfer Pad	2	200032	35	Screw $\varnothing 1 \times 16$ (M8)	1	111116
10	Top Heat Sink	1	200033	36	Plate Type Spring	2	114197
11	Angular Indexing Plate	1	111108	37	Housing part left	1	200041
12	Pressure valve	3	106271	38	Waterproof PG Glands	2	106273
13	Waterproof Brushless DC Fan	1	200034	39	Waterproof Cone Antenna	1	114465
14	Cable Guide Mount	1	200035	40	Cables for Antenna	1	114200
15	Cable Guide Loop	1	200036	41	Rubber Stop	2	200042
16	Fan Cover	1	200037	42	Waterproof Rubber Seal Base	1	200043
17	PSU Filter Module	2	200038	43	Housing Frame Base	1	200044
18	Mounting Bracket for PSU Filter Module	2	200039	44	Display Seal Packing	1	111135
19	Power supply Unit-52V	2	200025	45	Transparent Window for Display	1	111134
20	Heat Dissipation Pad for Power Supply	2	114191	46	Display waterproof seal pressure plate	1	114204
21	Wireless DMX module OE-BRX1 RDM Receiver	1	114190	47	LCD Board V.01	1	105730
22	Terminal Block	1	111129	48	Plate Type Spring B22108	1	200045
23	Waterproof Box	2	111132	49	Housing part Right	1	200046
24	Internal Cooling Fan Bracket	1	114192	50	Conversion Shaft - M8	1	111123
25	Internal Cooling Fan	1	114193	51	Rotary Knob	1	111124
26	1/4 Turn fast lock mount	4	111090				

eventCON®

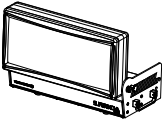
The eventCON is a new, innovative cable connector system, which combines power and DMX signal in one cable and one plug. This is the revolution of connection in lighting. The plug is IP67 certified and can be assembled in the customers need without losing the IP certification. The VDE certification attests the eventCON system a power current up to 16A.

Thanks to the future-oriented mechanism the plug just needs to be inserted into the connector and locks automatically. By turning the sleeve the connection is unlocked.

Innovative cablin solutions simplify the work in the event industry. In order that the eventCON system works with your classic fixtures we have developed adapter sets which connect classic XLR/Schuko/PowerCON with the eventCON system.

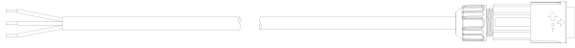
Technial Data:

Contact durability	1000	Upper limiting temperature / °C	105
Rated voltage (Power) / V	250	Lower limiting temperature / °C	-40
Rated voltage (Signal) / V	30	Pollution degree	3
Rated impulse voltage / V	2500	Insulating medium group	II
Rated current (Power) / A	16	Protection class	IP67
Rated current (Signal) / A	2	Support structure material	PA66
Cable cross-section (Power) / mm ²	1,5	Contact material	Copper base, gilded
Cable cross-section (Signal) / mm ²	0,5	Connection method	Solder connection
Number of poles (Power)	3	Connection type	Fee plug connector
Number of poles (Signal)	3	Pull relief / mm	7,5 – 9,5
Environmental temperature / °C	40		



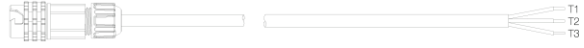
Here is an extract of the available eventCON accessories:

Adapters & Extension



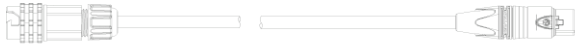
eventCON Adapter Power OUT

- Power OPEN to eventCON OUT



eventCON Adapter Power OUT

- eventCON IN to power OPEN



eventCON Adapter DMX OUT

- eventCON IN to XLR-3F OUT



eventCON Extension

- eventCON IN to eventCON OUT

Splitter & Merger



Input Merger eventCON

- PD1F/PD1M separate
2 eventCON IN to 1 eventCON OUT



Output Splitter eventCON

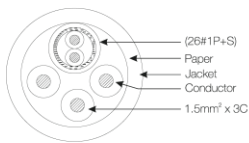
- PD1M/XLR-3/Open
eventCON IN to XLR-3 OUT & Power OPEN



Input Merger Schuko eventCON

- PD1F/XLR-3/Schuko
1 x XLR & 1 x Schuko IN to eventCON OUT

Cable & Plugs



The eventCON cables have a diameter of 9,5mm



Pin Definition

- | | |
|------------|------------|
| Signal | Power |
| • 1: GND | L: Line |
| • 2: Data- | N: Neutral |
| • 3: Data+ | ⊕ : PE |



Pin Definition

- | | |
|------------|------------|
| Signal | Power |
| • 1: GND | L: Line |
| • 2: Data- | N: Neutral |
| • 3: Data+ | ⊕ : PE |

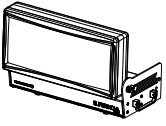


Please consider to your own safety:

Only qualified electricians are allowed to wire the eventCON system or solder plugs onto the eventCON cable. Please contact your local dealer for further information if necessary.

Colourwheel table

Value	Function
0 - 5	No Function, RGBW Colour mixing
6 - 10	LEE 790-Moroccan Pink
11 - 15	LEE 157-Pink
16 - 20	LEE 332-Special Rose Pink
21 - 25	LEE 328-Follies Pink
26 - 30	LEE 345-Fuchsia Pink
31 - 35	LEE 194-Surprise Pink
36 - 40	LEE 181-Congo Blue
41 - 45	LEE 071-Tokyo Blue
46 - 50	LEE 120-Deep Blue
51 - 55	LEE 079-Just Blue
56 - 60	LEE 132-Medium Blue
61 - 65	LEE 200-Double CT Blue
66 - 70	LEE 161-Slate Blue
71 - 75	LEE 201-Full CT Blue
76 - 80	LEE 202-Half CT Blue
81 - 85	LEE 117-Steel Blue
86 - 90	LEE 353-Lighter Blue
91 - 95	LEE 118-Light Blue
96 - 100	LEE 116-Medium Blue Green
101 - 105	LEE 124-Dark Green
106 - 110	LEE 139-Primary Green
111 - 115	LEE 089-Moss Green
116 - 120	LEE 122-Fern Green
121 - 125	LEE 738-JAS Green
126 - 130	LEE 088-Lime Green
131 - 135	LEE 100-Spring Yellow
136 - 140	LEE 104-Deep Amber
141 - 145	LEE 179-Chrome Orange
146 - 150	LEE 105-Orange
151 - 155	LEE 021-Gold Amber
156 - 160	LEE 778-Mellennium Gold
161 - 165	LEE 135-Deep Golden Amber
166 - 170	LEE 164-Flame Red
Colourwheel rotation effects	
171 - 185	Colourwheel rotation forward (fast - slow)
186 - 190	Colourwheel rotation stop
191 - 205	Colourwheel rotation backward (fast - slow)
206 - 210	Colourwheel rotation stop
Random colours	
211 - 225	Fast – slow
White hue	
226 - 230	Warmwhite - 2700K
231 - 235	Warmwhite - 3200K
236 - 240	Neutralwhite - 4200K
241 - 245	Coldwhite - 5600K
246 - 250	Coldwhite - 7200K
251 - 255	Coldwhite - 8000K



Special control channel

Value	Function
0-10	Reserved
11-15	Cooling mode: Auto
16-20	Cooling mode: Silent
21-25	Cooling mode: Standard
25-30	Cooling mode: High Power
31-35	Reserved
36-40	Remote DMX Address-Low (001-256)
41-45	Reserved
46-50	Remote DMX Address-High (257-512)
51-55	Reserved
56-60	Dimmer Speed: Smooth
61-65	Dimmer Speed: Fast
66-70	Reserved
71-75	Dimmer Curve: Linear
76-80	Dimmer Curve: Theatrical
81-85	Dimmer Curve: Square Law
86-90	Dimmer Curve: Inverse Square Law
91-95	Reserved
96-100	No DMX: Hold
101-105	No DMX: Shutter Closed
106-110	No DMX: Play Program 1
111-140	Reserved
141-145	DMX Mode: Standard
146-150	DMX Mode: Advanced
151-155	DMX Mode: RGBW
156-160	DMX Mode: Pixel
161-165	Output Mode: Standard
166-170	Output Mode: Color+
171-175	Output Mode: White+
176-180	Fixture Reset
181-185	Display Backlight: On
186-190	Display Backlight: Off
191-200	Reserved
201-205	PWM Rate: 600 Hz
206-210	PWM Rate: 1200 Hz
211-215	PWM Rate: 2000 Hz
216-220	PWM Rate: 2400 Hz
221-225	PWM Rate: 6000 Hz
226-230	Reserved
231-235	Boot Mode: Auto
236-240	Boot Mode: DMX Mode
241-245	Boot Mode: Program Play
246-250	Boot Mode: Static Mode
251-255	Reserved

Shutter Channel Table

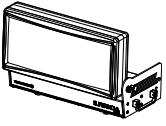
Value	Function
0 – 15	Shutter Closed
16-47	Random Strobe (slow – fast)
48-79	Ramp Up (slow – fast)
80-111	Ramp Down (slow – fast)
112-143	Ramp UP & down (slow – fast)
144-199	Strobe Pause 5s – 1s (slow – fast)
200-239	Strobe 1Hz – 20 Hz (slow – fast)
240-255	Shutter Open

Shutter Duration Table

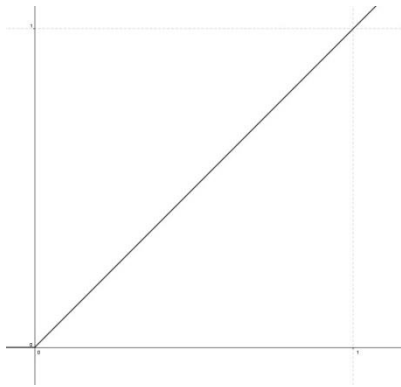
Value	Function
0 – 5	Default duration (50 ms)
6 - 250	Duration slow to fast
251 - 255	Blinder Mode (intensity temporarily doubled)

Shutter Flash Rate Table

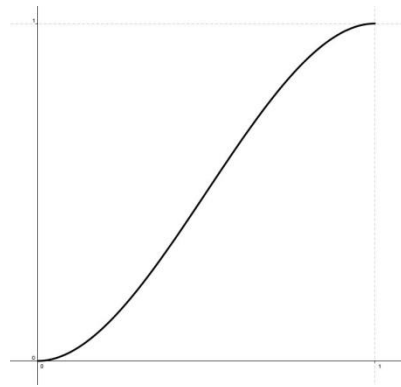
Value	Function
0 – 5	Shutter Closed
6 - 10	Single flash
11 - 250	Strobe slow to Fast (0.5 – 25 Hz)
251 – 255	Shutter Open



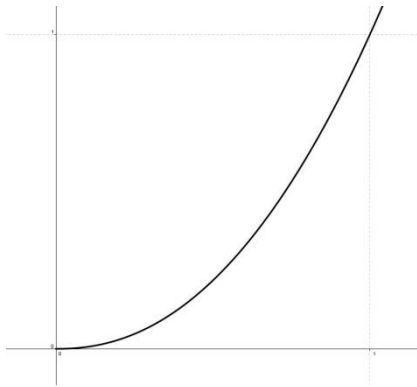
Dimmer Curves



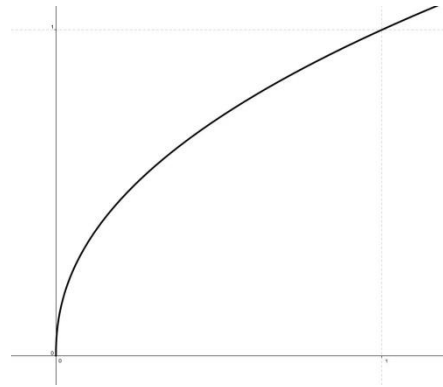
Linear



Theatrical



Square



Inverse square

Patterns

Supernova RGBW Animation Pattern

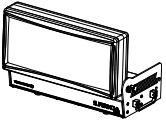
- DMX 000 – 020 = Static
- DMX 021 – 075 = Chase Animation -works with Pattern speed table
- DMX 076 – 130 = Fade Animation -works with Pattern speed table

Static

Value	Pattern	Value	Pattern	Value	Pattern	Value	Pattern	Value	Pattern	Value	Pattern
001-005		006		007		008		009		010	
011		012		013		014		015		016	
017		018		019		020					

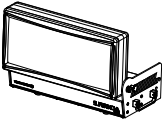
Animated

chase	fade	1	2	3	4	5	6	7	8
021	076								
022	077								
023	078								
024	079								
025	080								
026	081								
027	082								
028	083								
029	084								
030	085								
031	086								



chase	fade	1	2	3	4	5	6	7	8
032	087								
033	088								
034	089								
035	090								
036	091								
037	092								
038	093								
039	094								
040	095								
041	096								
042	097								
043	098								
044	099								
045	100								
046	101								
047	102								
048	103								
049	104								
050	105								
051	106								
052	107								
053	108								

chase	fade	1	2	3	4	5	6	7	8
054	109								
055	110								
056	111								
057	112								
058	113								
059	114								
060	115								
061	116								
062	117								
063	118								
064	119								
065	120								
066	121								
067	122								
068	123								
069	124								



Appendix → Patterns

chase	fade	1	2	3	4	5	6	7	8
070	125								
071	126								
072	127								
073	128								
074	129								
075	130								



Ehrgeiz Lichttechnik GmbH
Im Stöckmädle 27
D- 76307 Karlsbad - Germany

Tel.: +49 7248 947 90 10
Fax: +49 7248 947 90 12
Web: www.ehrgeiz.com