

KNV DOT

DESCRIPTION

The KNV system from GLP brings a whole new dynamic to entertainment lighting, groundbreaking in both design and functionality. KNV Line and KNV Dot work as independent units or combine seamlessly together. In combination they provide a whole new level of versatility and freedom in design, all in an outdoor rated housing, allowing them to be used on a multitude of events and occasions.

A truly multi-functional fixture, the KNV system is equally happy being used as a pixel mapped surface, strobe, blinder, washlight, or scenic element.

Art. No.: 7780D



KEY FEATURES



LIGHT SOURCE

LED Power Pixel: 1 x White Light + 16 x RGB



MODULAR SYSTEM

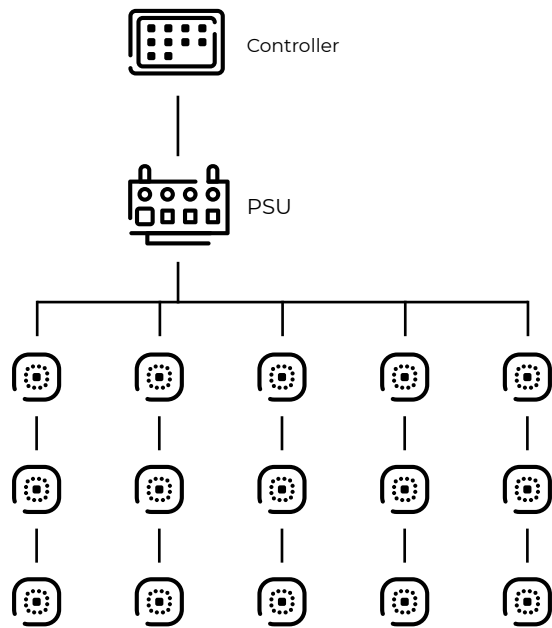
for individual, creative designs

DETAILS

Further information, pictures, and technical details as well as downloads for KNV Dot at our website: www.glp.de

Direct-Link:





KNV Line – Installation overview

TECHNICAL DATA

LIGHT SOURCE

Power Pixel	1 x 30 W White 16 x 0.25 W RGB
Power Pixel Count	1

CONTROL

Control Modes	8
Setting and addressing	back-lit Graphic Display, 4 Button Menu Navigation, DMX, RDM
Protocol	USITT DMX-512 ArtNET
Cooling type	temperature controlled, overheating protection

CONNECTORS (PSU)

Signal	Neutrik PowerCon True1 In/Out, 5x Power-Data Cable ODS 6 PIN tail out
Power	Neutrik powerCON TRUE1 In/Out

DIMENSIONS & WEIGHT

Length	92 mm / 3.62 in
Width	92 mm / 3.62 in
Height	76 mm / 3.0 in
Weight	0.7 kg / 1.54 lbs

AVAILABLE ACCESSORIES

PRODUCT	DESCRIPTION	ART. NO.
KNV PSU Rigging	IP 54 / PSU for up to 25x KNV Dot	7780P
GLP Slide Connector	connects KNV Dot Modules (1:2); color: black	76710S
KNV Dot Bracket	tiltable Bracket for mounting of KNV Dot	778022